

C200S Power Package

High-pressure Natural Gas, ICHP



The Signature Series Microturbine provides reliable electrical/thermal generation from natural gas with ultra-low emissions.

- + Ultra-low emissions
- + One moving part – minimal maintenance and downtime
- + Patented air bearings – no lubricating oil or coolant
- + Integrated utility synchronization – no external switchgear
- + Compact modular design allows for easy, low-cost installation
- + Multiple units easily combined – act as single generating source
- + Remote monitoring and diagnostic capabilities
- + Proven technology with tens of millions of operating hours
- + Various Factory Protection Plans available



C200S ICHP Microturbine

Electrical Performance⁽¹⁾

Electrical Power Output	200kW
Voltage	400/480 VAC
Electrical Service	3-Phase, 4 Wire Wye
Frequency	50/60 Hz
Electrical Efficiency LHV	33%

Fuel/Engine Characteristics⁽¹⁾

Natural Gas HHV	30.7–47.5 MJ/m ³ (825–1,275 BTU/scf)
Inlet Pressure	517–551 kPa gauge (75–80 psig)
Fuel Flow HHV	2,400 MJ/hr (2,280,000 BTU/hr)
Net Heat Rate LHV	10.9 MJ/kWh (10,300 BTU/kWh)

Exhaust Characteristics⁽¹⁾

NO _x Emissions @ 15% O ₂	< 9 ppmvd (18 mg/m ³)
Exhaust Mass Flow	1.3 kg/s (2.9 lbm/s)
Exhaust Gas Temperature	280°C (535°F)

Dimensions & Weight⁽²⁾

Width x Depth x Height ⁽³⁾	3.0 x 2.5 x 3.8 m (117 x 100 x 148 in)
Weight - Grid Connect Model	6,000 kg (13,200 lbs)
Weight - Dual Mode Model	6,700 kg (14,700 lbs)

Reliable power when and where you need it. Clean and simple.

Minimum Clearance Requirements⁽⁴⁾

Horizontal Clearance	
Left	1.5 m (60 in)
Right	0.0 m (0 in)
Front	1.7 m (65 in)
Rear	2.2 m (85 in)

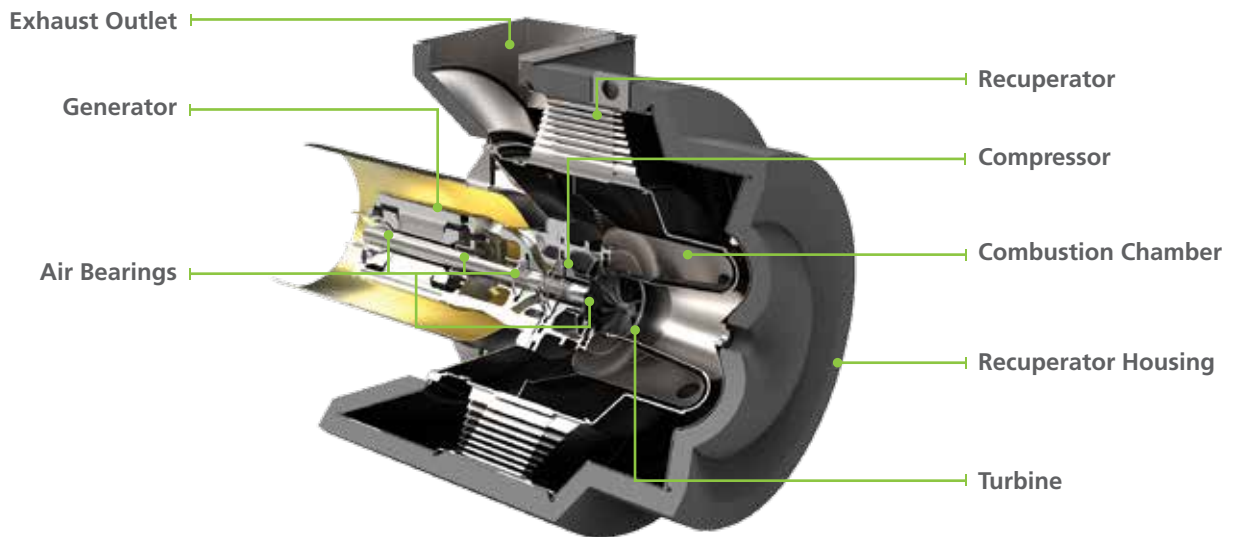
ICHP Heat Recovery⁽⁵⁾

Hot Water Heat Recovery	300 kW (1.0 MMBtu/hr)
-------------------------	-----------------------

Certifications

- UL 2200 Listed
- CE Certified
- Certified to the following grid interconnection standards: UL 1741, VDE, BDEW and CEI 0-16
- Compliant to California Rule 21

C200 Engine Components



(1) Nominal full power performance at ISO conditions: 15°C (59°F), 14.696 psia, 60% RH
 (2) Approximate dimensions and weights
 (3) Height dimensions are to the roofline. Exhaust outlet extends at least 241 mm (9.5 in) above the roofline
 (4) Clearance requirements may increase due to local code considerations
 (5) Nominal heat recovery for water inlet temperature of 38°C (100°F) and flow rate of 6.3 l/s (100 gpm)
 Specifications are not warranted and are subject to change without notice.

