

# C800S Power Package

High-pressure Sour Natural Gas



The Signature Series Microturbine provides 800kW of reliable electrical power in one small, ultra-low emission, and highly efficient package.

- + Ultra-low emissions
- + Accepts sour gas fuels with up to 5,000 ppm H<sub>2</sub>S
- + One moving part – minimal maintenance and downtime
- + Patented air bearings – no lubricating oil or coolant
- + Integrated utility synchronization – no external switchgear
- + Compact modular design allows for easy, low-cost installation
- + High electrical efficiency over a very wide operating range
- + High availability – part load redundancy
- + Remote monitoring and diagnostic capabilities
- + Proven technology with tens of millions of operating hours
- + Various Factory Protection Plans available



C800S Power Package

## Electrical Performance<sup>(1)</sup>

Electrical Power Output	800kW
Voltage	400/480 VAC
Electrical Service	3-Phase, 4 Wire Wye
Frequency	50/60 Hz
Electrical Efficiency LHV	33%

## Fuel/Engine Characteristics<sup>(1)</sup>

Natural Gas HHV	30.7– 47.5 MJ/m <sup>3</sup> (825– 1,275 BTU/scf)
H <sub>2</sub> S Content	<5,000 ppm
Inlet Pressure	517– 551 kPa gauge (75– 80 psig)
Fuel Flow HHV	9,600 MJ/hr (9,120,000 BTU/hr)
Net Heat Rate LHV	10.9 MJ/kWh (10,300 BTU/kWh)

## Exhaust Characteristics<sup>(1)</sup>

NOx Emissions @ 15% O <sub>2</sub>	< 9 ppmvd (18 mg/m <sup>3</sup> )
Exhaust Mass Flow	5.3 kg/s (11.7 lbm/s)
Exhaust Gas Temperature	280°C (535°F)

## Dimensions & Weight<sup>(2)</sup>

Width x Depth x Height <sup>(3)</sup>	3.0 x 7.5 x 2.9 m (117 x 295 x 114 in)
Weight - Grid Connect Model	14,100 kg (31,100 lbs)
Weight - Dual Mode Model	16,900 kg (37,300 lbs)

Reliable power when and where you need it. Clean and simple.

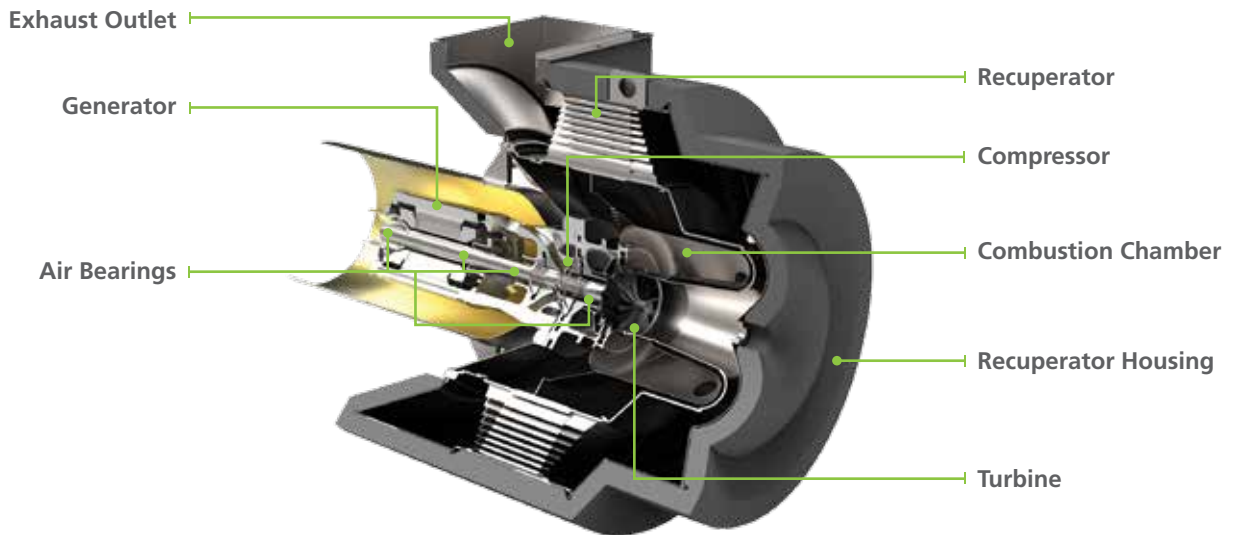
## Minimum Clearance Requirements<sup>(4)</sup>

Horizontal Clearance	
Left	1.5 m (60 in)
Right	0.0 m (0 in)
Front	1.7 m (65 in)
Rear	2.0 m (80 in)

## Certifications

- UL 2200 Listed
- CE Certified
- Certified to the following grid interconnection standards: UL 1741, VDE, BDEW and CEI 0-16
- Compliant to California Rule 21

## C200 Engine Components



(1) Nominal full power performance at ISO conditions: 15°C (59°F), 14.696 psia, 60% RH

(2) Approximate dimensions and weights

(3) Height dimensions are to the roofline. Exhaust outlet extends at least 127 mm (5 in) above the roofline

(4) Clearance requirements may increase due to local code considerations

Specifications are not warranted and are subject to change without notice.

