

C800S Power Package

Liquid Petroleum Gas (LPG)



The Signature Series Microturbine provides 800kW of reliable electrical power in one small, ultra-low emission, and highly efficient package.

- + Ultra-low emissions
- + One moving part – minimal maintenance and downtime
- + Patented air bearings – no lubricating oil or coolant
- + Integrated utility synchronization – no external switchgear
- + Compact modular design allows for easy, low-cost installation
- + High electrical efficiency over a very wide operating range
- + High availability – part load redundancy
- + Remote monitoring and diagnostic capabilities
- + Proven technology with tens of millions of operating hours
- + Various Factory Protection Plans available



C800S Power Package

Electrical Performance⁽¹⁾

Electrical Power Output	800kW
Voltage	400/480 VAC
Electrical Service	3-Phase, 4 Wire Wye
Frequency	50/60 Hz
Electrical Efficiency LHV	33%

Fuel/Engine Characteristics⁽¹⁾⁽²⁾

Liquid Petroleum Gas (LPG) HHV	91.3– 106.2 MJ/m ³ (2,450–2,850 BTU/scf)
Inlet Pressure ⁽³⁾	517– 551 kPa gauge (75– 80 psig)
Fuel Flow HHV	9,600 MJ/hr (9,120,000 BTU/hr)
Net Heat Rate LHV	10.9 MJ/kWh (10,300 BTU/kWh)

Exhaust Characteristics⁽¹⁾

Exhaust Mass Flow	5.3 kg/s (11.7 lbm/s)
Exhaust Gas Temperature	280°C (535°F)

Dimensions & Weight⁽³⁾

Width x Depth x Height ⁽⁴⁾	3.0 x 7.5 x 2.9 m (117 x 295 x 114 in)
Weight - Grid Connect Model	14,100 kg (31,100 lbs)
Weight - Dual Mode Model	16,900 kg (37,300 lbs)

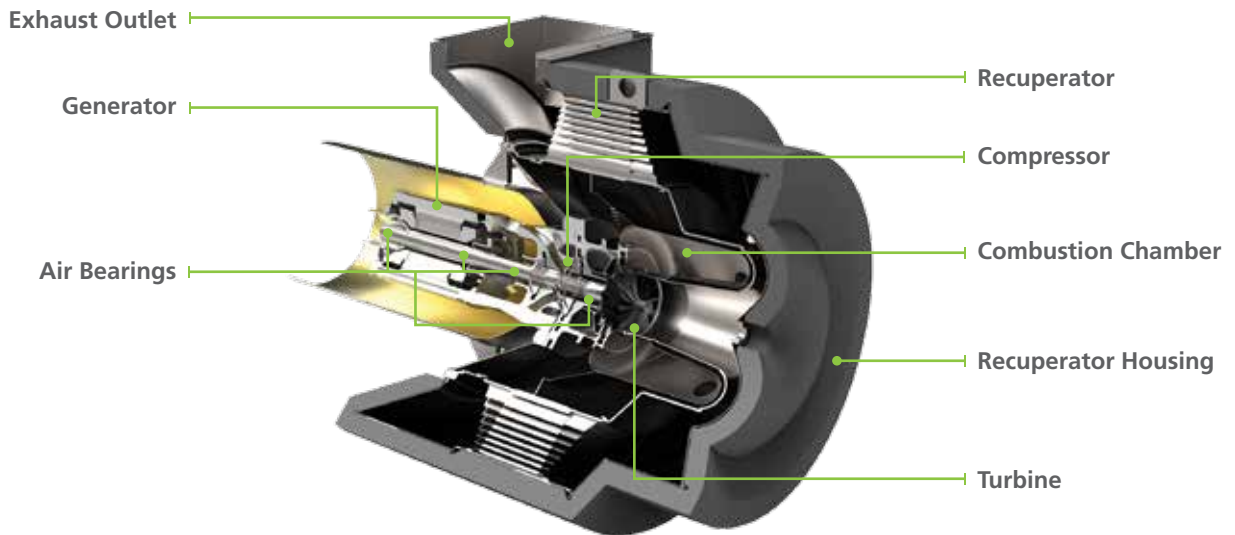
Minimum Clearance Requirements⁽⁵⁾

Horizontal Clearance	
Left	1.5 m (60 in)
Right	0.0 m (0 in)
Front	1.7 m (65 in)
Rear	2.0 m (80 in)

Certifications

- Certified to the following grid interconnection standards: UL 1741, VDE, BDEW and CEI 0-16
- Compliant to California Rule 21

C200 Engine Components



(1) Nominal full power performance at ISO conditions: 15°C (59°F), 14.696 psia, 60% RH
 (2) Microturbines intended for operation on Liquid Petroleum Gas (LPG) have limits for specific fuel constituents (e.g., butane)
 (3) Approximate dimensions and weights
 (4) Height dimensions are to the roofline. Exhaust outlet extends at least 127 mm (5 in) above the roofline
 (5) Clearance requirements may increase due to local code considerations
 Specifications are not warranted and are subject to change without notice.

